

Applicable Panel Types

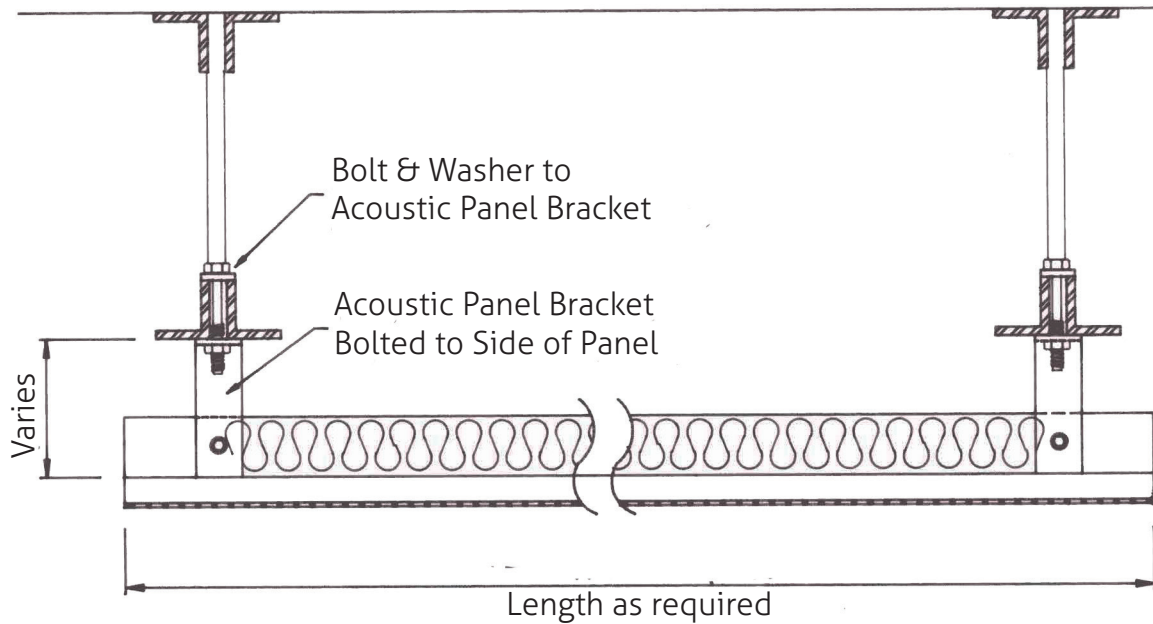
Eckel Functional Panels (EFP)
EFP Type-2,
EFP Type 2 HD
EFP Type-3,
EFP Type-4

Flat Functional Panels (FFP):
FFP Type-1, Capped
FFP Type-2 Formed

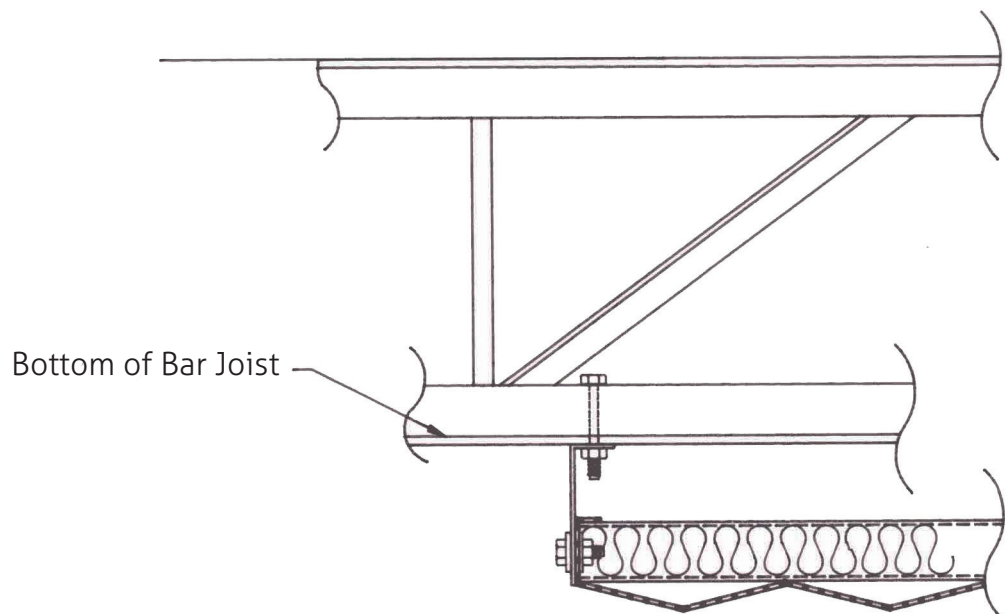
School Functional Panels (SFP)
SFP Type 1
SFP Type 2

Eckel Acoustic Panel: Bolted to Bar Joists

Section



End View



Eckel Representatives are Available Worldwide
support@eckelacoustics.com | 1-800-563-3574 | +1-613-543-2967
www.eckelacousticpanels.com