

## Applicable Panel Types

Eckel Functional Panels (EFP)  
 EFP Type-2,  
 EFP Type 2 HD  
 EFP Type-3,  
 EFP Type-4

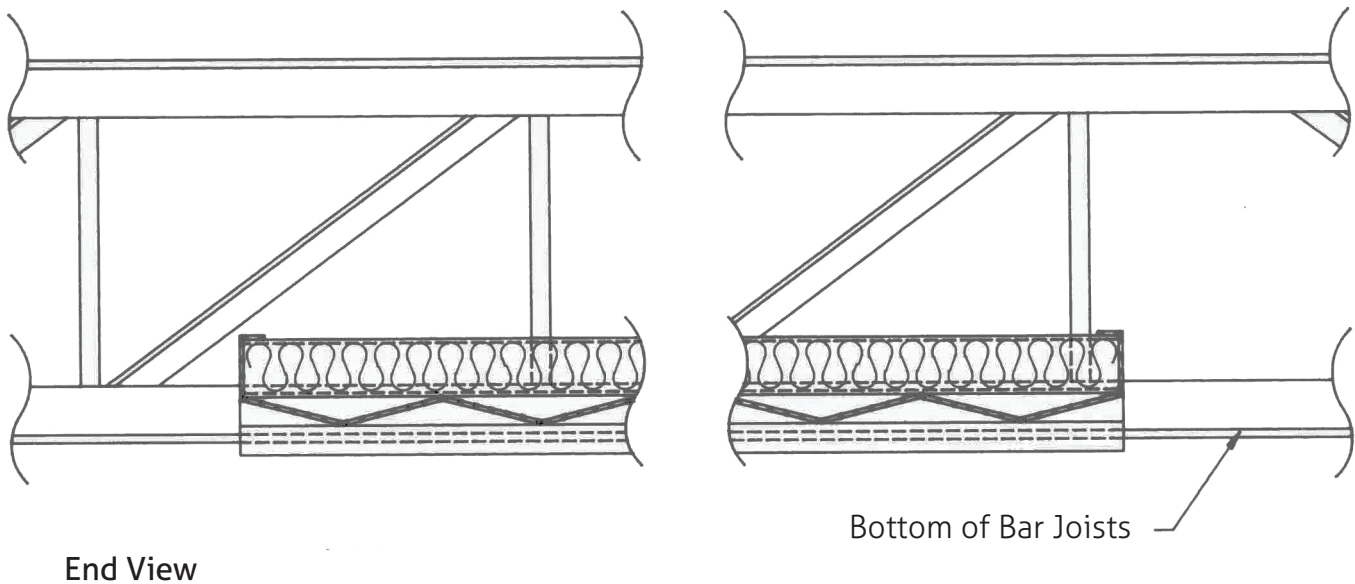
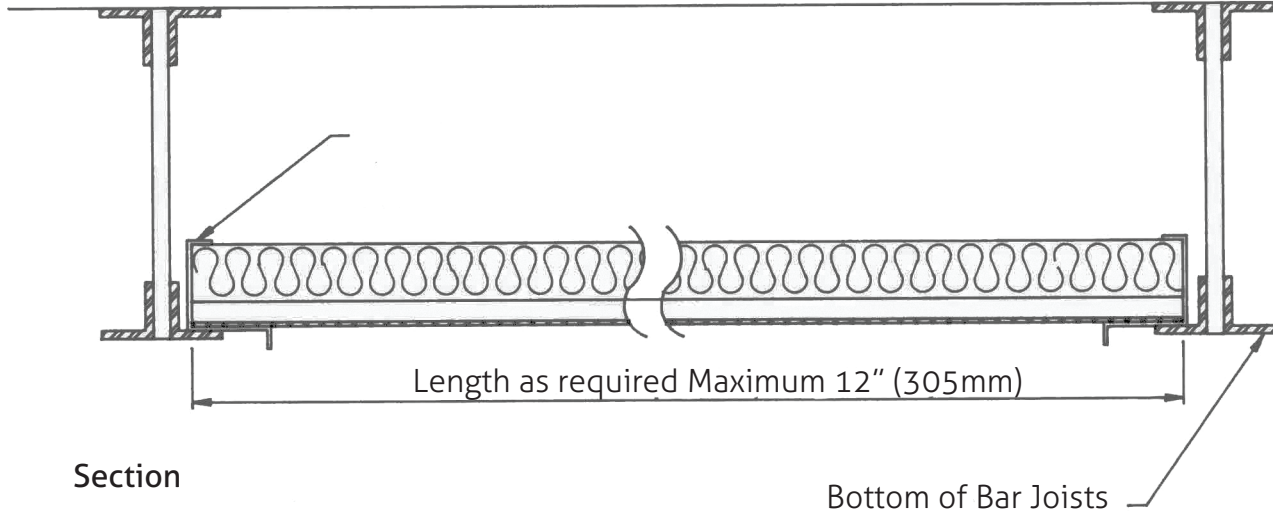
## Flat Functional Panels (FFP):

FFP Type-1, Capped  
 FFP Type-2 Formed

## School Functional Panels (SFP)

SFP Type 1  
 SFP Type 2

## Eckel Acoustic Panel: Between Bar Joist



Eckel Representatives are Available Worldwide  
[support@eckelacoustics.com](mailto:support@eckelacoustics.com) | 1-800-563-3574 | +1-613-543-2967  
[www.eckelacousticpanels.com](http://www.eckelacousticpanels.com)